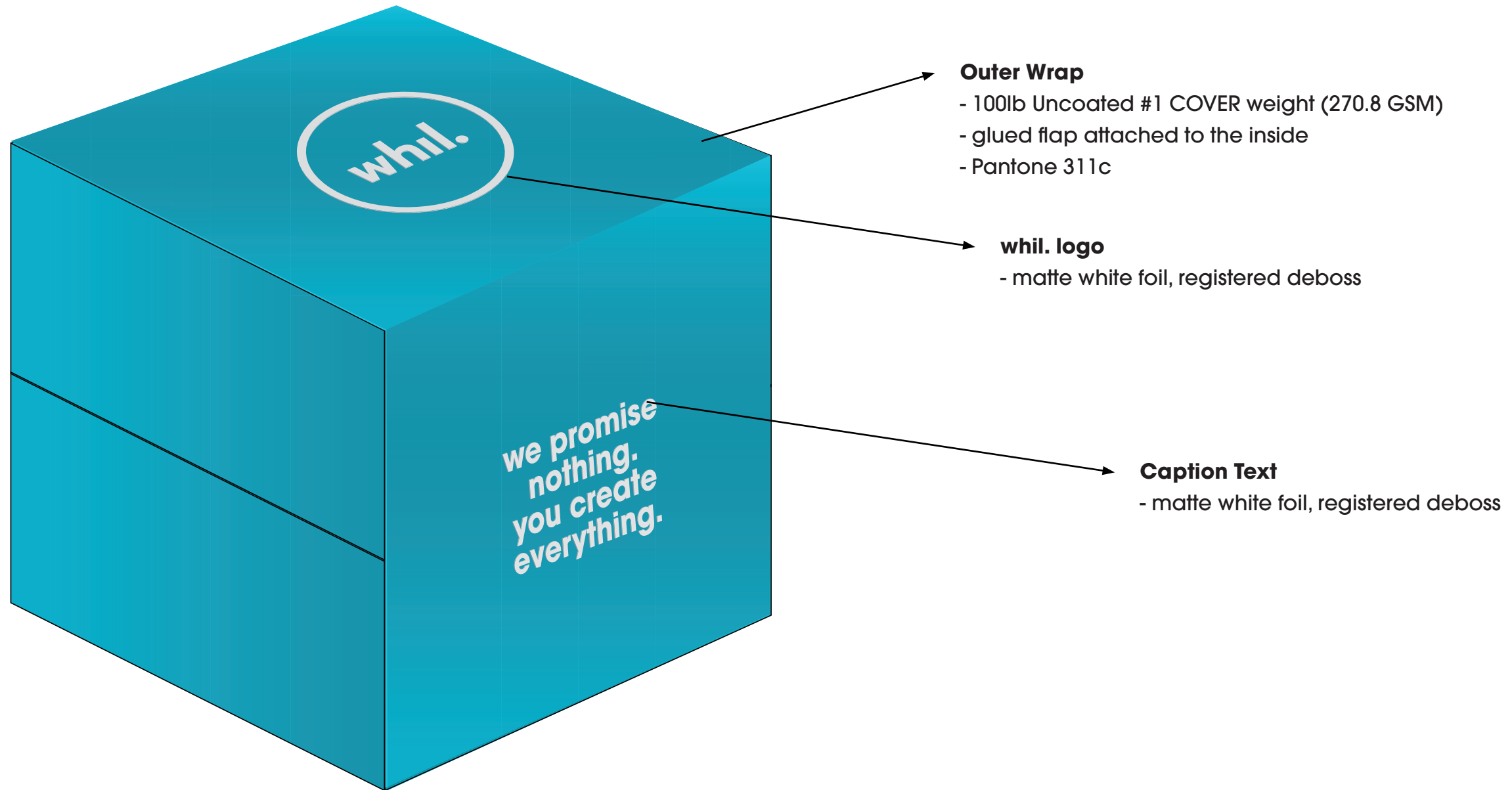


The logo consists of the lowercase text 'whil.' in a white, rounded, sans-serif font, centered within a white circular outline. The background is a solid blue color.

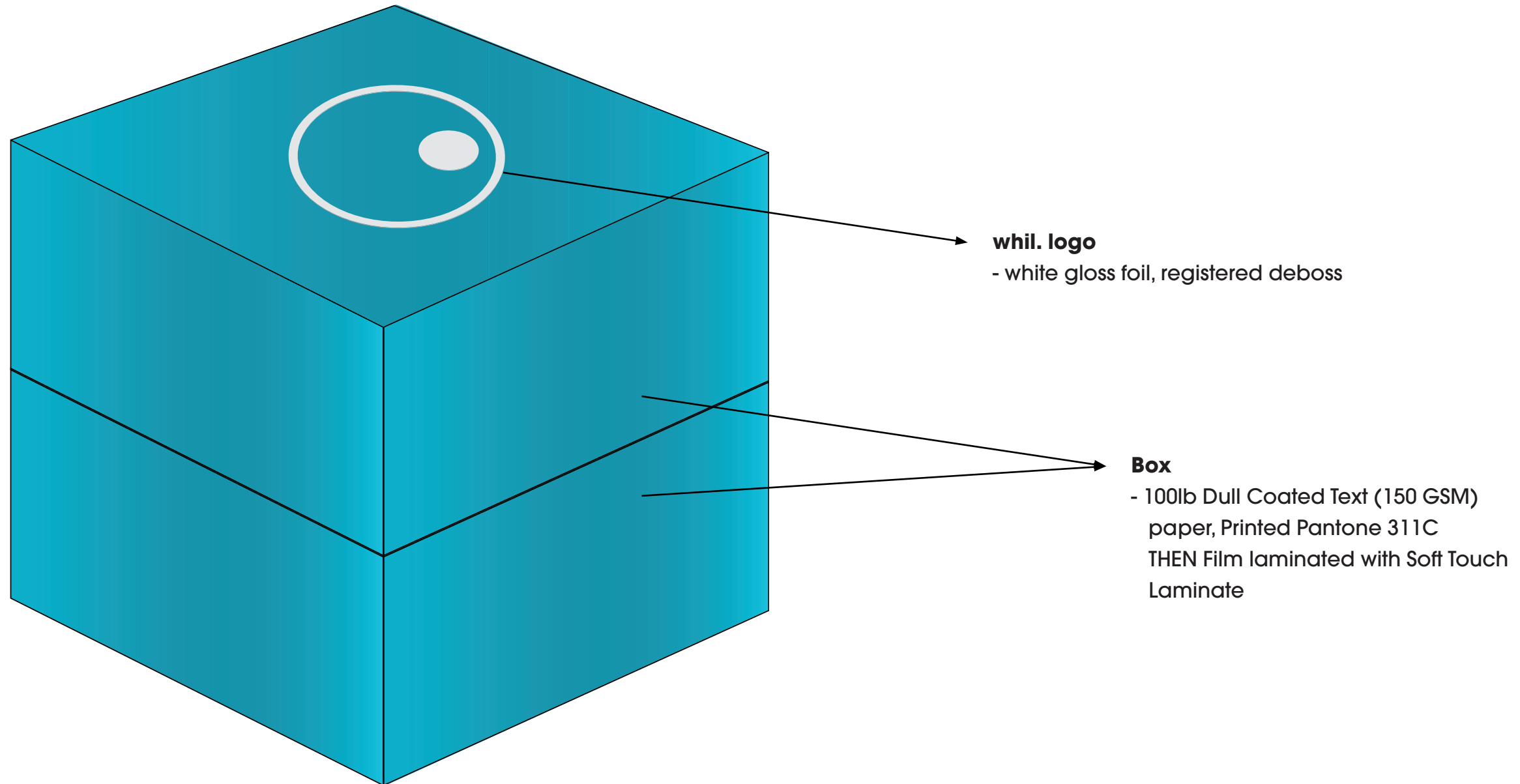
whil.

magic 8 ball spec pack  
version 1  
1 may 2013

## BOX - OUTSIDE WRAP

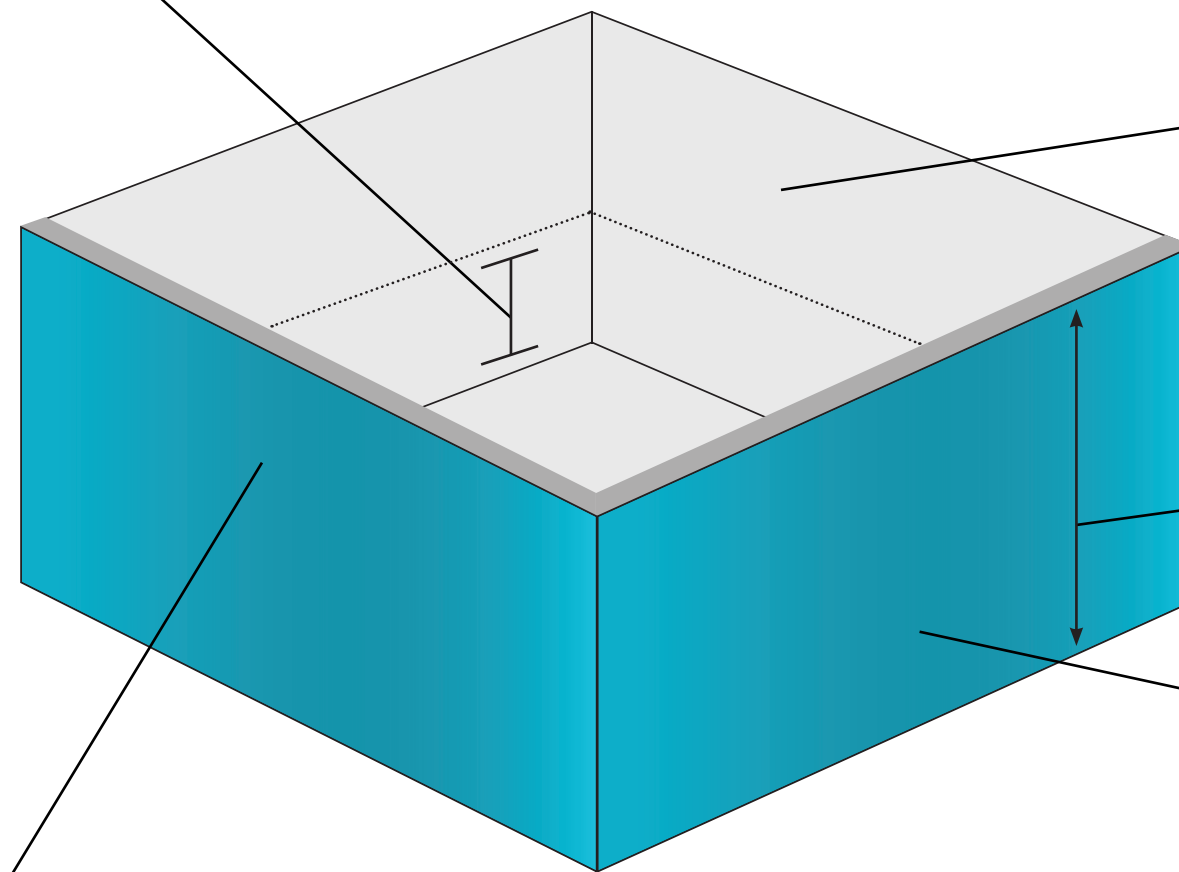


## BOX - EXTERIOR



# BOX - TOP LID

**Mount Lid Ring**  
@ 36m from top (inside)



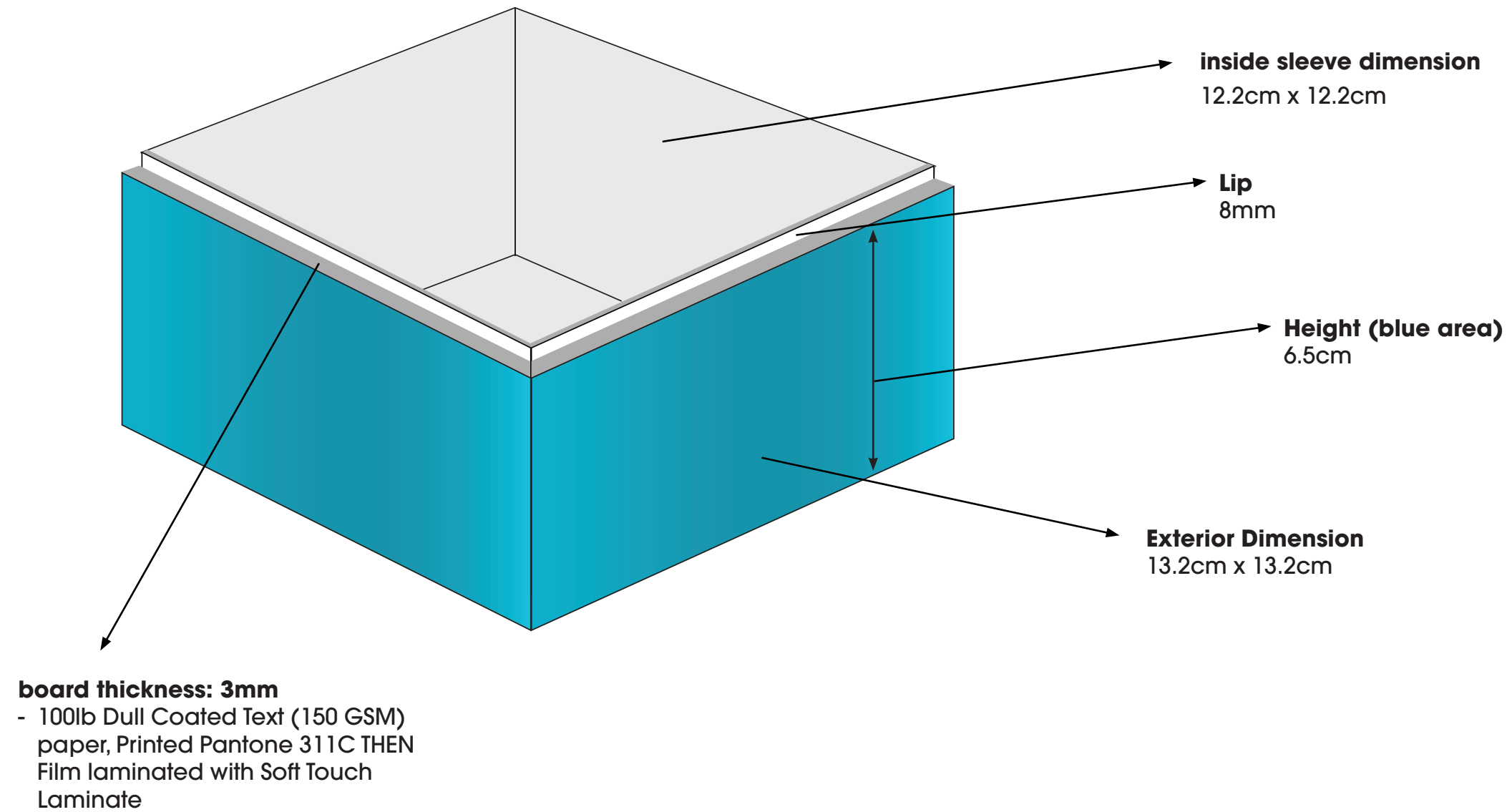
**inside dimension**  
- 12.6cm x 12.6cm

**Height (blue area)**  
6.5cm

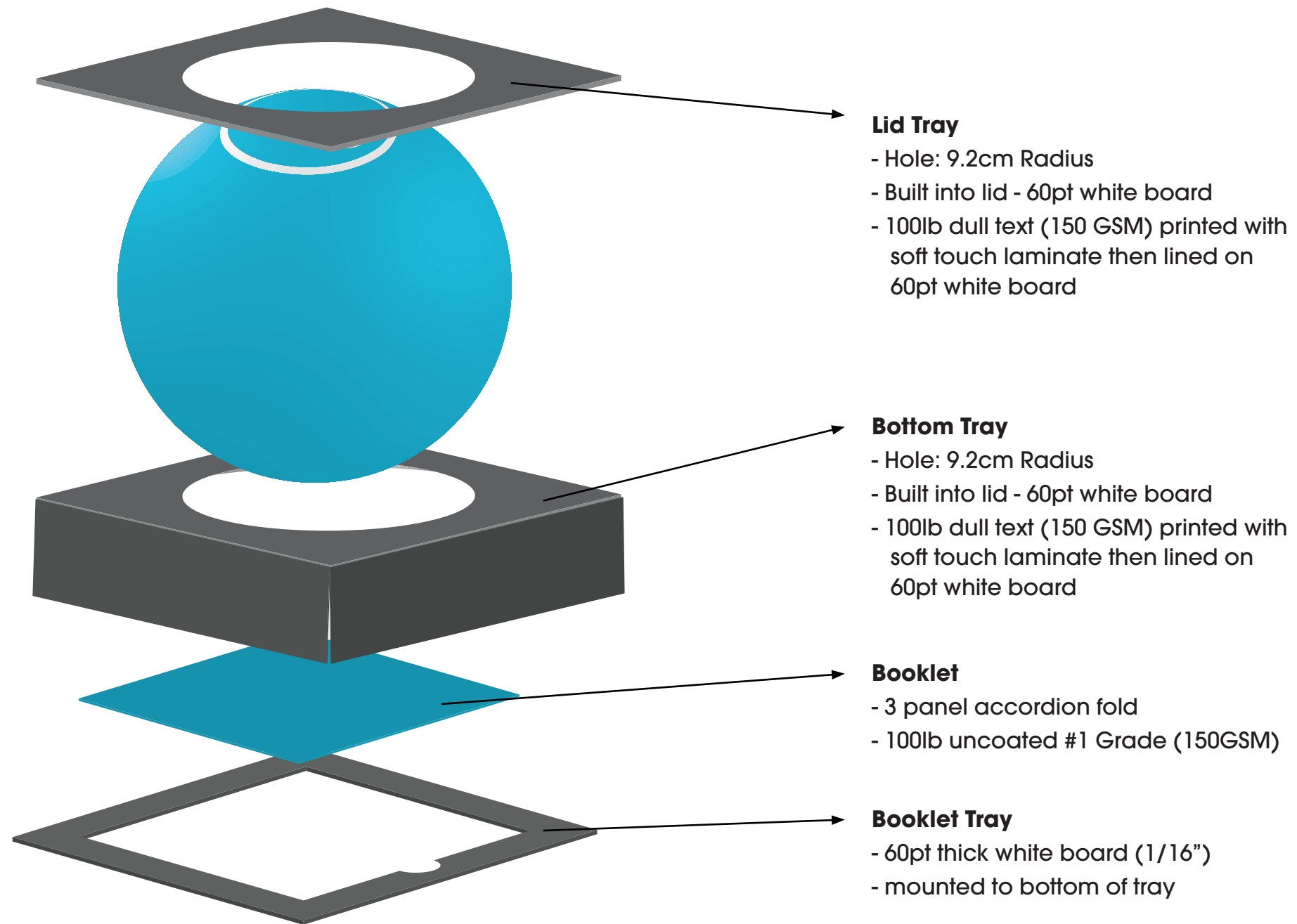
**Exterior Dimension**  
13.2cm x 13.2cm

**board thickness: 3mm**  
- 100lb Dull Coated Text (150 GSM)  
paper, Printed Pantone 311C THEN  
Film laminated with Soft Touch  
Laminate

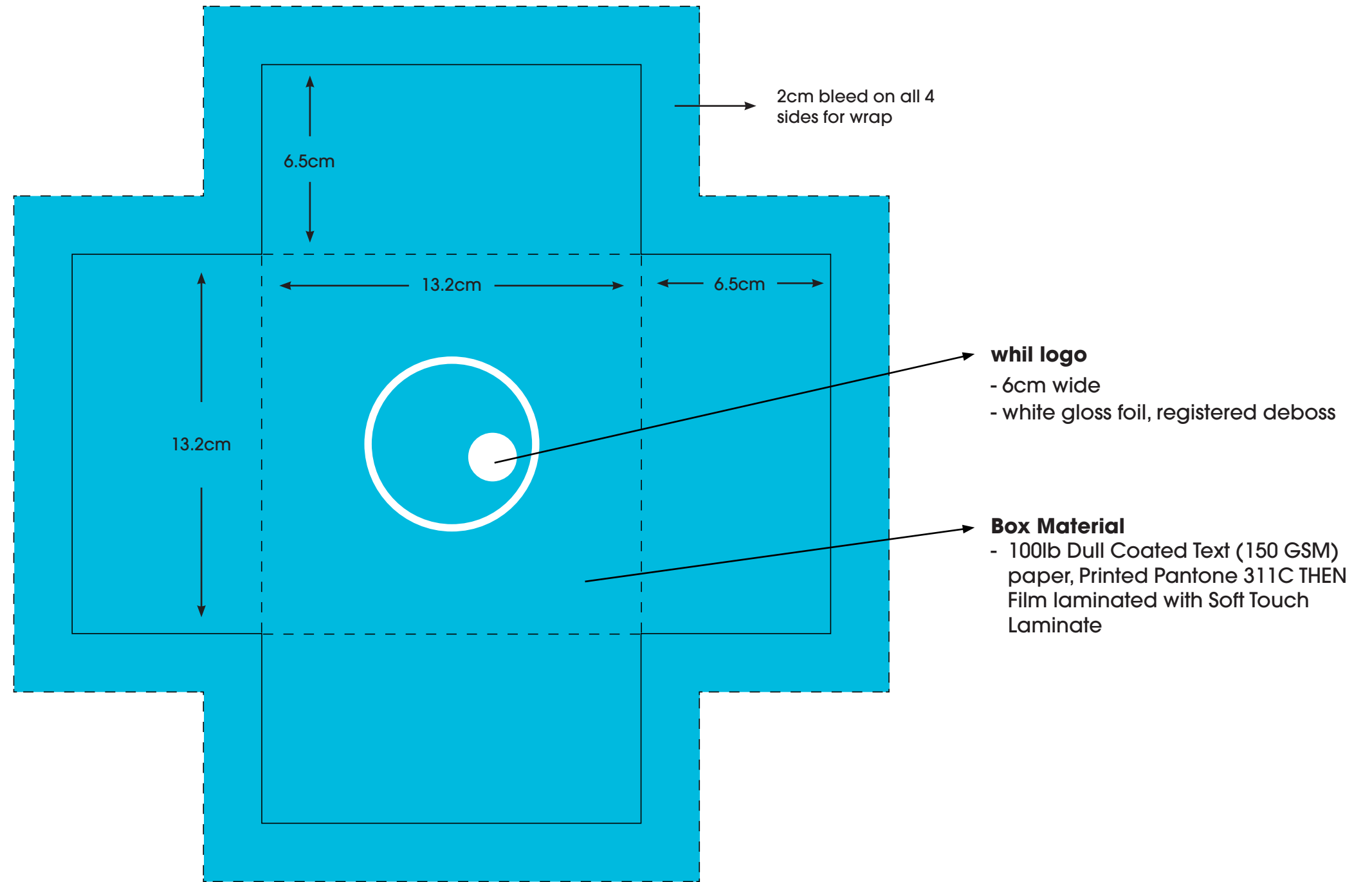
## BOX - BOTTOM LID



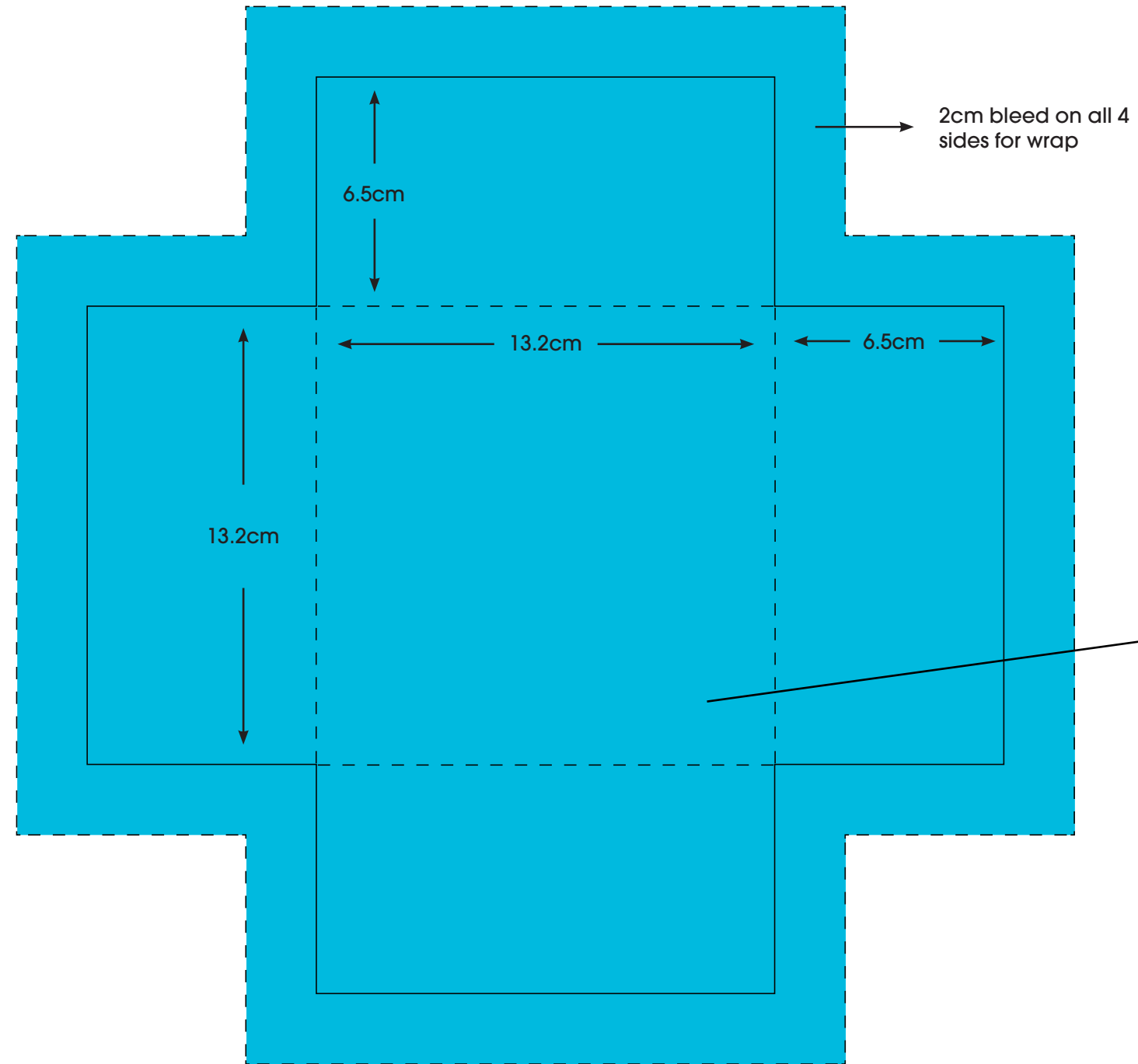
## BOX - INTERIOR CONSTRUCTION



## DETAILED SPECS - TOP LID



## DETAILED SPECS - BOTTOM LID

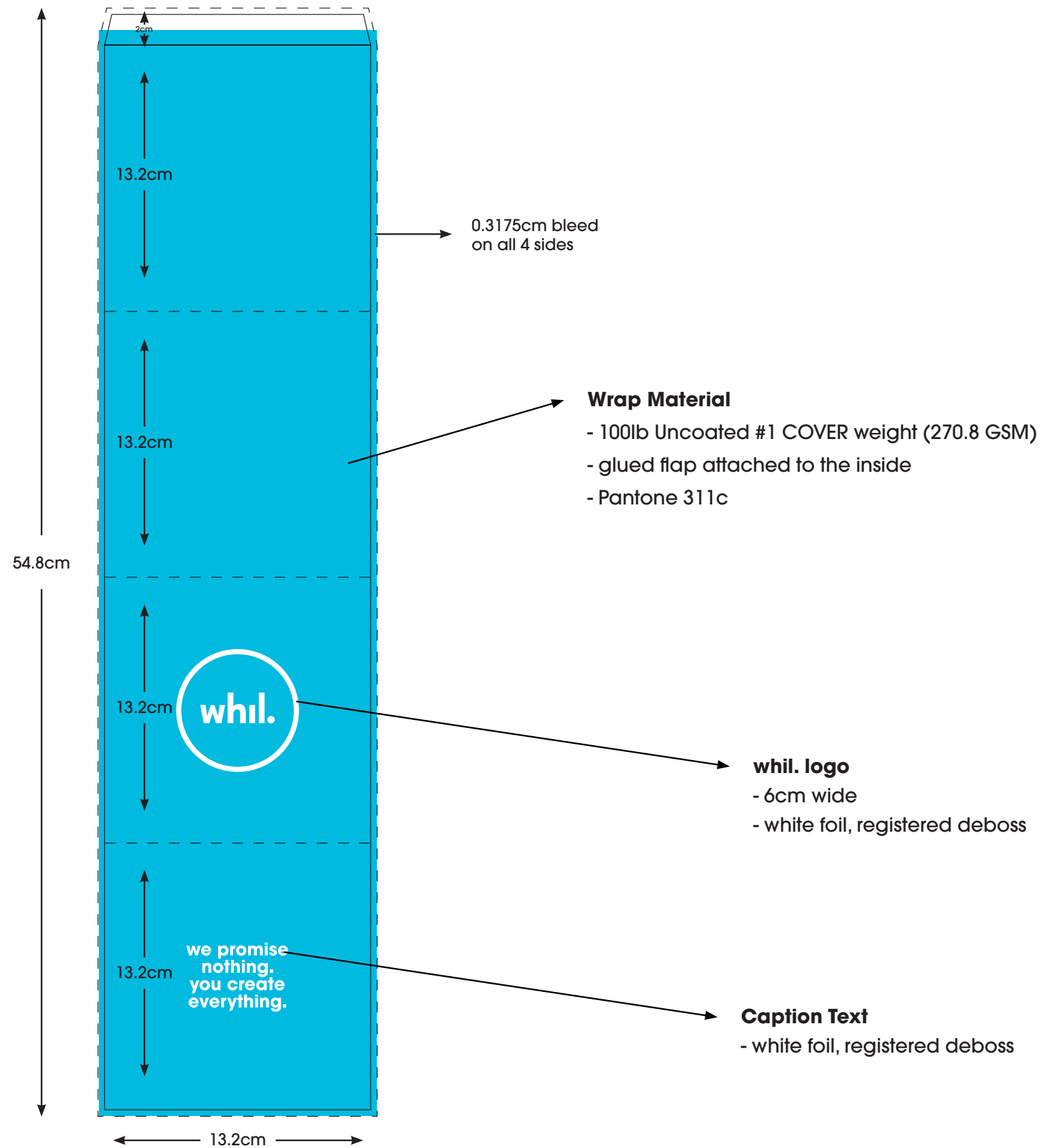


### Box Material

- 100lb Dull Coated Text (150 GSM) paper, Printed Pantone 311C THEN Film laminated with Soft Touch Laminate

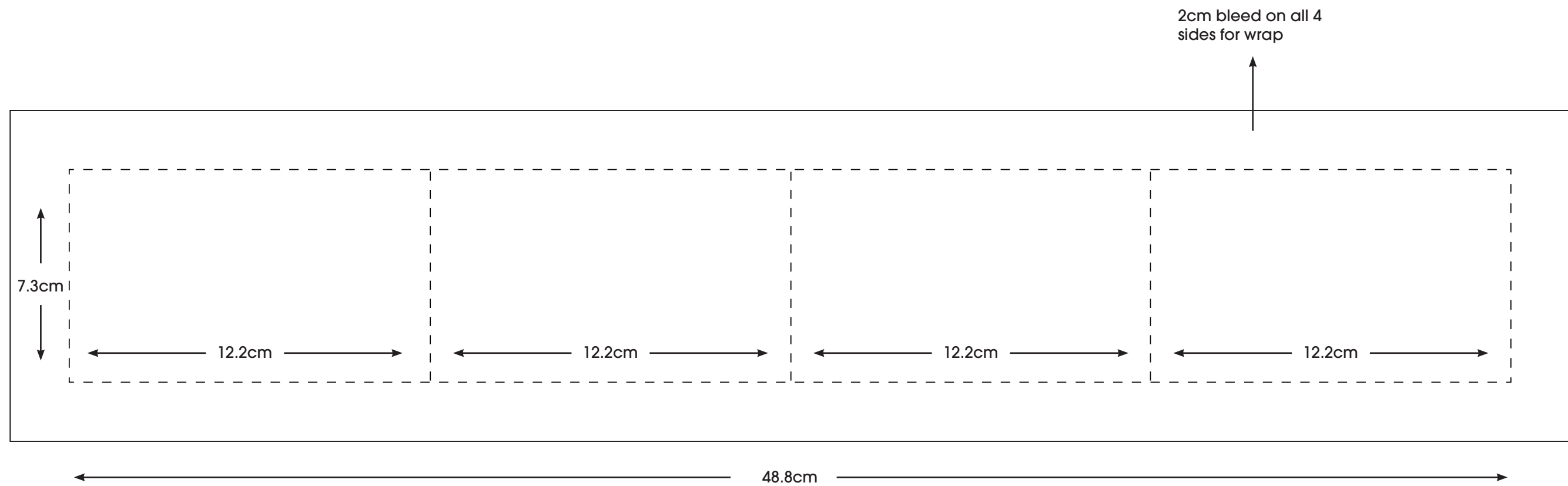


# DETAILED SPECS - OUTSIDE WRAP

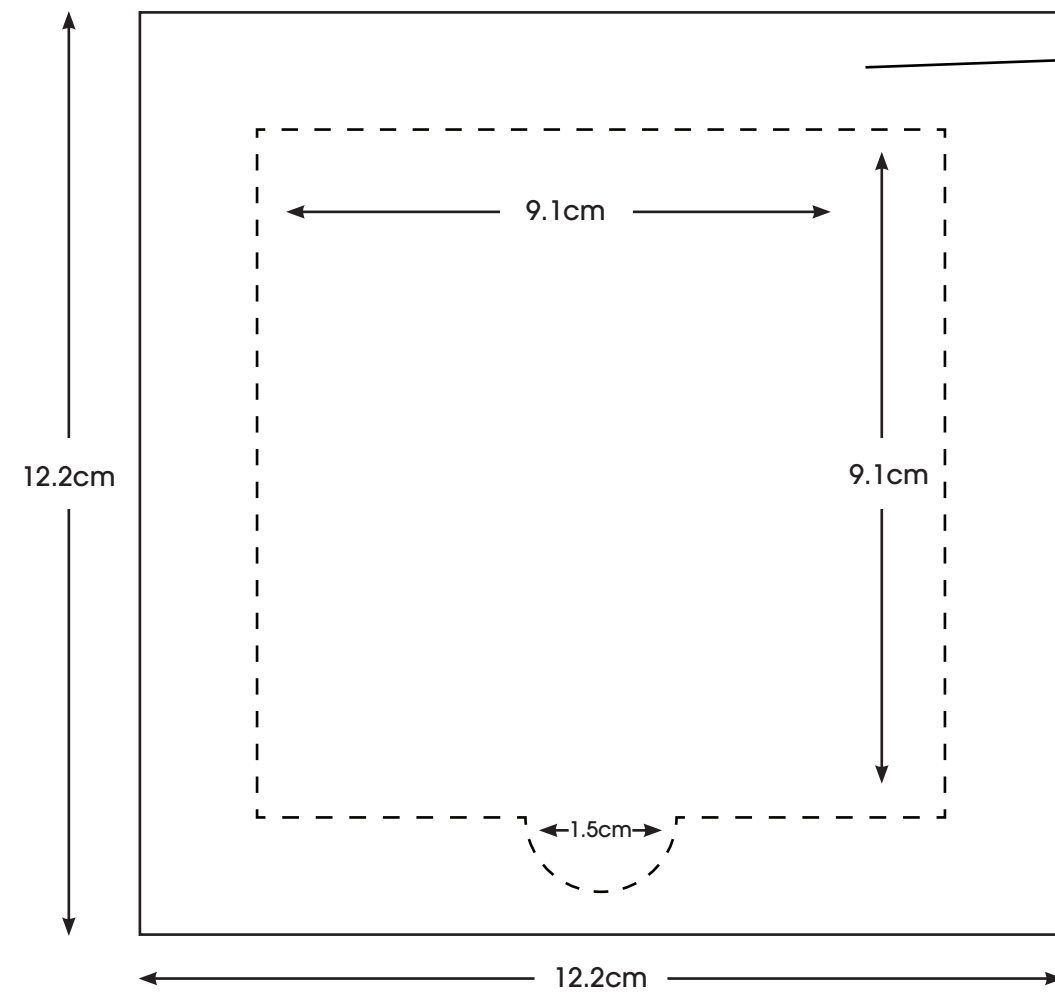


# DETAILED SPECS - BOTTOM LID INNER SLEEVE

What is the material spec for this insert?



## DETAILED SPECS - BOOKLET TRAY



### Tray Material

- 100lb dull text (150 GSM) printed with soft touch laminate then lined on 60pt white board
- mounted to bottom of tray

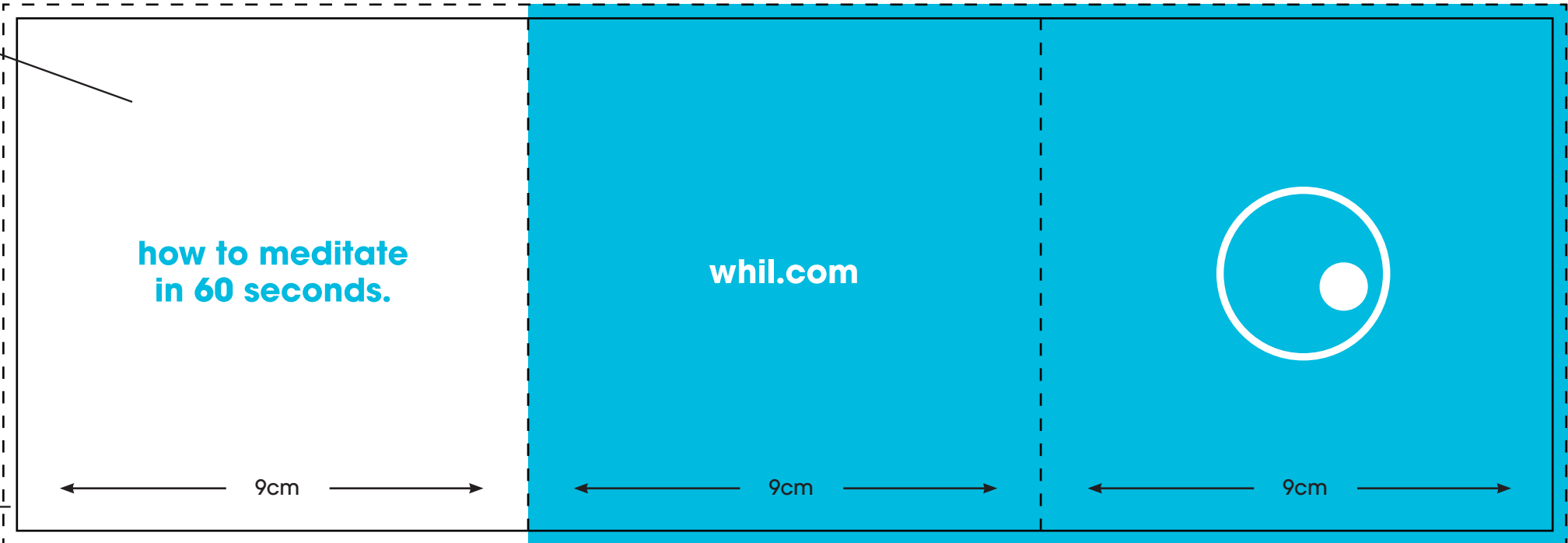
# DETAILED SPECS - BOOKLET (3 panel accordion fold)

booklet front

**Booklet Material**

- 3 panel accordion fold
- 100lb uncoated #1 Grade (150GSM)

0.3175cm bleed on all 4 sides



9cm

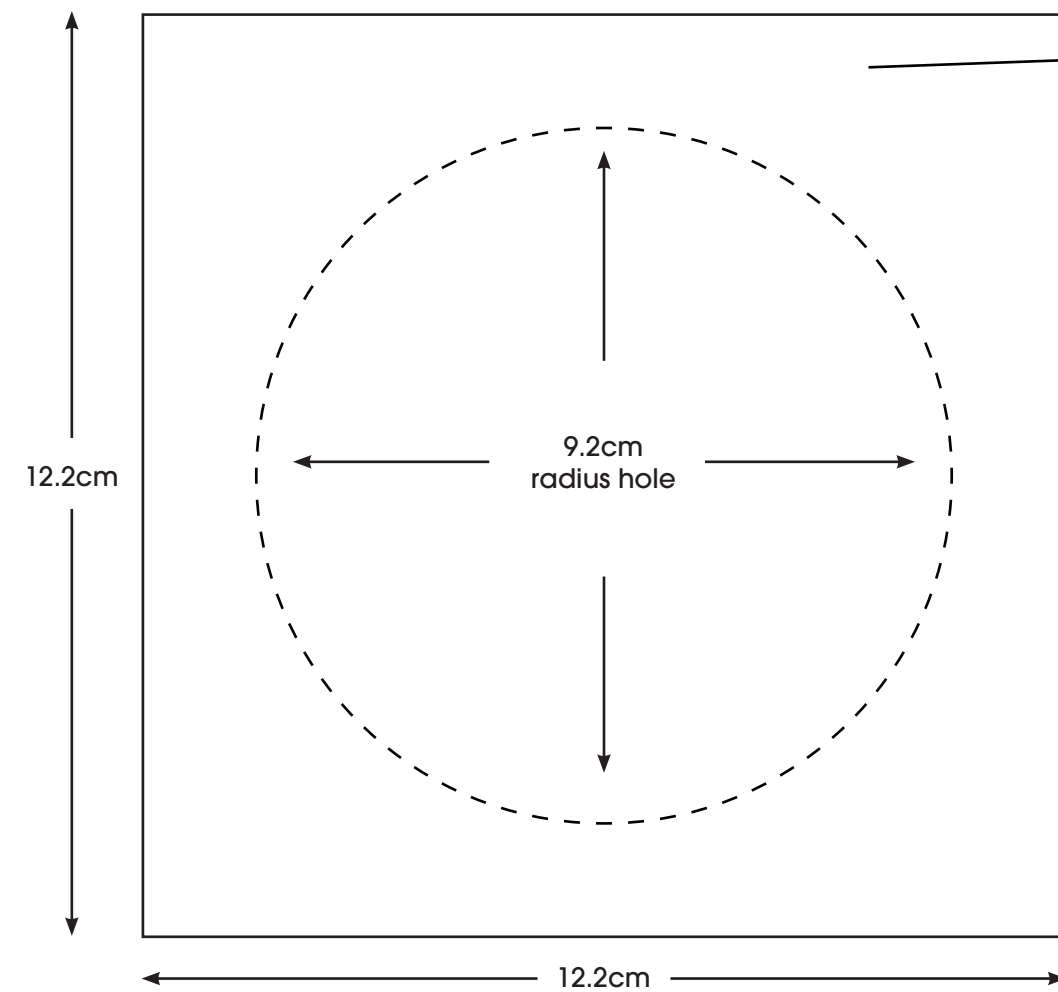
booklet back

0.3175cm bleed on all 4 sides



9cm

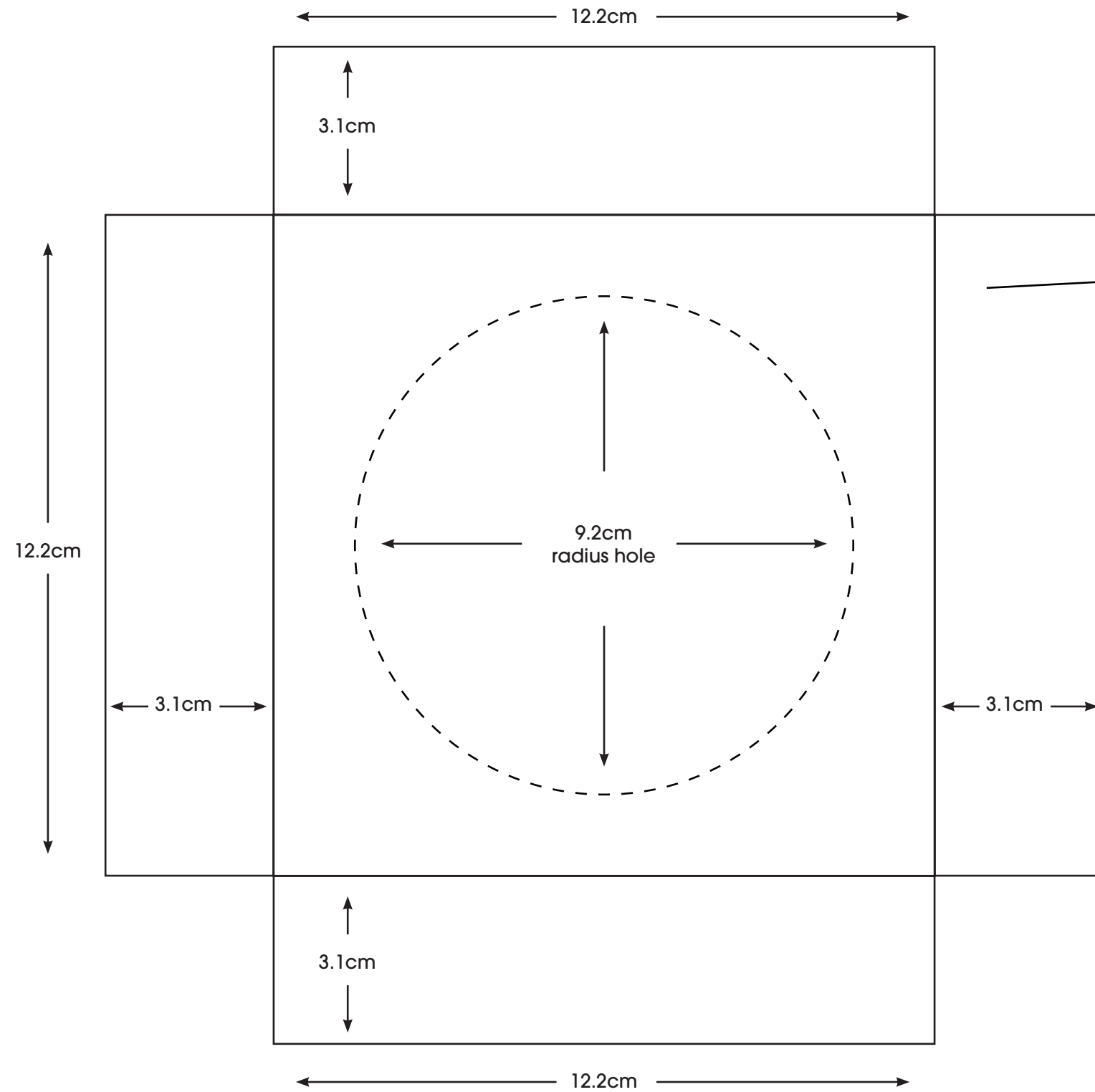
## DETAILED SPECS - LID TRAY



### Lid Tray Material

- Built into lid - 60pt white board
- 100lb dull text (150 GSM) printed with soft touch laminate then lined on 60pt white board

# DETAILED SPECS - BOTTOM LID TRAY



## Lid Tray Material

- Built into lid - 60pt white board
- 100lb dull text (150 GSM) printed with soft touch laminate then lined on 60pt white board